

# AVIALITE®

LED LIGHTING INNOVATION ✈

Compact - Lightweight - Robust - Reliable

ICAO Low Intensity Solar Powered Light

## ERGONOMIC TOOL FREE DESIGN

- Easy battery replacement
- Switchless design

## LS-3272-12 Series

### DESCRIPTION

AVIALITE LS-3272-12 is a solar powered LED aviation obstruction beacon with an effective luminous intensity of **35cd**, it is a constant burning light that complies to **ICAO Low Intensity Type 'B'**

### Optional features available:

#### Alarm Relay:

LS-3272-12R

Features an alarm cable that provides feedback to the operator in the case of a lamp/battery failure.

### APPLICATION

- :: Tall Buildings
- :: Bridges
- :: Telecommunication Towers
- :: Cranes, Pylons and Chimneys



### FEATURE


- :: High brightness LED light source
- :: Expected LED bulb life exceeds 100,000 hours
- :: Excellent heat dissipation for optimum LED performance
- :: Battery and Solar panel are rain and moisture resistant suitable for outdoor installations
- :: The solar panel charges the battery during daylight
- :: During the night when the ambient light level drops below 100 lux, the LED lamp will automatically switch on
- :: Built in Solid State automatic charging controller
- :: Battery damage protection with auto low voltage disconnect
- :: Compact, light weight, high resistant to shock & vibration
- :: Corrosion & chemical resistant

### PRODUCT BENEFIT

- :: Install on site with ease and minimum tools and manpower
- :: Virtually maintenance free operation and design
- :: Proven robust & reliable
- :: Low wind drag, unobtrusive
- :: Ultra low operation cost, quick ROI

**OPTICAL CHARACTERISTIC**

**Fixed Model**

ICAO Type	 ICAO Low Intensity Type B
Effective Luminous Intensity	35cd (Candela)
Vertical Beam Spread	15° with 5° upward inclination
Horizontal Beam Spread	360° omni-directional
LED Source	72 LED cluster
LED Size	5mm
Output Colour	Red light
Physical Properties	Advanced optical grade epoxy with UV inhibitor, highly chemical and UV resistant

**DIMENSION & WEIGHT**

Height	180mm
Width	205mm
Depth	180mm
Weight (with battery)	2.8kg

**MATERIAL PROPERTY**

Battery Housing	Stainless steel
Lamp Body	UV & environmentally resistant epoxy resin
Mounting Bolt	Stainless steel M6 bolt/ spring washer

**OPERATING CONDITION**


Temperature	-20°C to +60°C
Ingress Protection	 Battery Housing IP65  Solar Lamp IP67
Vibration Resistance	 Resistant to shock and vibration

**Sensor**

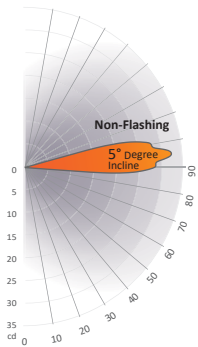
Light Sensor Sensitivity	 Auto ON/OFF of lamp, Photo sensing of Ambient light < 100 Lux (±10%) = Lamp 'ON' > 100 Lux (±10%) = Lamp 'OFF'
--------------------------	--

**OPTIONAL SPECIFICATION**

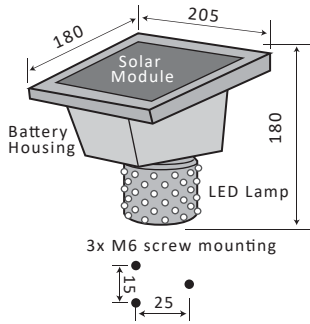
**Alarm Model**

Alarm Relay Conditions	 For remote monitoring of: A. Power supply failure B. Lamp failure
Lamp Failure Alarm Output	1. NO (Normally Open) 2. Com (Common) 3. NC (Normally Closed)

**Polar Diagram of Lamp**



**General Dimension**



All dimensions in mm  
(Dimensions are for general reference subject to change without notice)

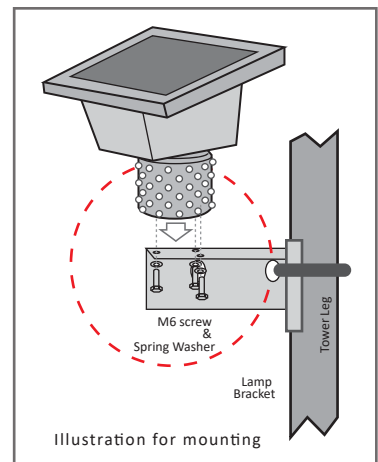
**POWER**

<b>Solar Panel</b>	Polycrystalline Silicon photo voltaic cells
Peak Power	5.0 watts max
Max Power current	 0.29A
Max Power Voltage	16.8V
<b>Battery Powered</b>	12V sealed lead acid battery Automatic low voltage disconnect

**Note:** All batteries will discharge over time, battery in storage of over 3 months requires charging. To ensure the battery health, turn on the lamp and place the lamp under direct sun for charging for a day.

Autonomy	5 Days
Tool Free System	 Change battery without tools Faster and convenient

Models	Voltage	Brightness
LS-3272-12	12V DC	35 cd
LS-3272-12R	12V DC	35 cd





**PIHAK BERKUASA PENERBANGAN AWAM MALAYSIA**  
**CIVIL AVIATION AUTHORITY OF MALAYSIA**

**SIJIL LAMPU GALANGAN**  
**OBSTACLE LIGHT CERTIFICATE**

**ASD404/CERT/025-2020**

**AVIALITE SDN BHD**  
**(NAME OF DISTRIBUTOR)**

This Certificate is issued pursuant Airport Standards Directive 404 (ASD404), published under the provision of Section 24o of Civil Aviation Act 1969 [Act 3] to certify that the obstacle lights offered by Avialite Sdn Bhd has complied with the requirements of ASD 404 and Annex 14 Vol. I to the Convention on International Civil Aviation pertaining to obstacle lights of the following Type Code:

**CAAM Type Code** : DCA/L/B  
**Product Model** : LS-3272-12 (SL) Series

The Authority may suspend, revoke or vary this Certificate at any time if the above listed obstacle lights fails to comply with the requirements of ASD 404 and Annex 14 Vol. I. This Certificate shall remain in effect from the date of issue until suspended, revoked or varied.

This Certificate shall remain in effect from the date of issue until **31 December 2020**.

.....  
**DIRECTOR OF AERODROME STANDARDS**

5 December 2019  
**DATE OF ISSUE**

## TEST REPORT

REPORT NO.: 2013EE0939

PAGE : 1 OF 10

This Test Report refers only to samples submitted by the applicant to SIRIM QAS International Sdn. Bhd. and tested by SIRIM QAS International Sdn. Bhd. This test report shall not be reproduced, except in full and shall not be used for any purpose by any means or forms (including but not limited to advertising purposes) without written approval from Managing Director, SIRIM QAS International Sdn. Bhd. Please refer overleaf for Conditions Relating To The Use of Test Report contain in this Test Report shall apply.

Applicant : **AVIALITE SDN. BHD.**  
 21, Jalan PBS 14/3, Taman Perindustrian Bukit Serdang,  
 43300 Seri Kembangan, Selangor D.E,  
 MALAYSIA.

Manufacturer : **AVIALITE SDN. BHD.**  
 21, Jalan PBS 14/3, Taman Perindustrian Bukit Serdang,  
 43300 Seri Kembangan, Selangor D.E,  
 MALAYSIA.

Product : **LED AVIATION OBSTRUCTION LIGHT**

Reference Standard /  
 Method of test : LM 79

Description of sample : Brand Name : **AVIALITE**  
 Model / Type : LS-3272-12V (FIX) ALX275R00001B

Rating Voltage : 12.0 V  
 Current : 4.5 Ah  
 Luminous Intensity : 35 cd (Candela)

Date received : 16 JUL 2013

Job No. : J20131420977

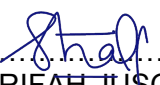
Description of overall test result : See page 2 for details

Issued date :

Approved Signatory,

  
 (MOHD FIRDAUS YASIN)  
 Technical Executive



  
 (SHARIFAH JUSOH)  
 Head  
 Electrical and Electronics 2 Section  
 Testing Services Department