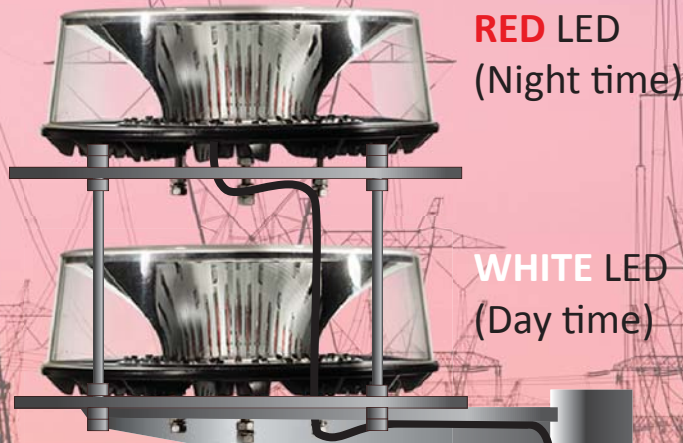


# AVIALITE®

LED LIGHTING INNOVATION

Compact - Lightweight - Robust - Reliable

Medium Intensity Light Type A-B



## Mi-20-2KP Series



### DESCRIPTION

Mi-20-2KP Medium Intensity Obstruction Light  
 - White/Red (Flashing)  
 DCA Certification: DCA/M/A-B  
 Effective Luminous Intensity: 20,000cd white light (Day)  
 2,000cd Red Light (night)

### APPLICATIONS

The beacon is used for marking tall structures preventing risk in air traffic (of over 45-150 m in height)



Designed to provide aviation safety on

- :: Tall Buildings
- :: Wind Turbines, Bridges
- :: Cranes, Pylons and Chimneys
- :: Power Transmission Towers
- :: Telecommunication Towers and all structural height of 45-150m that require Medium Intensity Obstruction lights especially tall structures in the aviation traffic corridors

### FEATURES

- :: High brightness LED light source
- :: White light color 20,000cd Day flashing
- :: Red light color 2,000cd Night flashing
- :: No EMI/RFI interference
- :: Expected LED bulb life exceeds 100,000 hours
- :: Crystal clear PMMA automotive grade, resist UV & yellowing
- :: Compact, light weight, highly resistant to shocks & vibrations
- :: Excellent heat dissipation for optimum LED performance
- :: Built tough for long service life

### PRODUCT BENEFITS

- :: Install with ease on site with minimum tools and manpower
- :: Virtually maintenance free operation and design
- :: Ultra low operation cost, quick ROI


**MATERIALS**

The body is made of metal alloy with anti-corrosion protection. The dome is made of toughened UV resistant glass. The parts are held together using A4 alloy steel elements to provide a structure with IP67 ingress protection.

**OPTICAL CHARACTERISTICS**

- ICAO Type  ICAO Medium Intensity Type A
- LED Source  60 LED cluster (White LED)
- Colour  20,000 cd
- Effective Luminous Intensity  ICAO Medium Intensity Type B, 44 LED cluster, Red LED2,000 cd (Red LED)
- Horizontal Beam Spread  360° omni-directional
- Verticle Beam Spread  >3°

**POWER**

- Operating Voltage  Factory Adjustable  
 AC 100 - 265V  
 or DC48
- Surge Protection  >20KA surge protection



**OPERATING CONDITIONS**

- Temperature  -40°C to +60°C
- Ingress Protection  IP67 (Lamp)  
 IP65 (Control Panel)
- Vibration Resistance  Resistant to shock and vibration

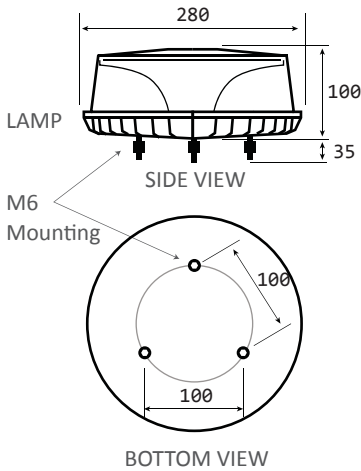
**GENERAL WEIGHT & DIMENSION**

- Lamp**
- Height 100mm
- Diameter 280mm
- Housing System**
- Weight Lamp (2x 2kg)  
Casing & misc (3kg)
- Total Weight (System) Approx 7kg

**SPECIFICATIONS**

- Sensor** Photocell auto switching of lamp from White light(daytime) to red light (night time)  
 Ambient light  
< 50 Lux (±10%) = Red flashing  
> 50 Lux (±10%) = White flashing
- Flashing Rate**  
 White light 25 fpm (flash per minute)  
Red light 25 fpm (flash per minute)  
Flashrate selectable at factory

Model	Voltage (V)	DC Voltage	ICAO Medium Intensity	Effective Brightness	Power
Mi-20-2KP+CP	90-132/ 180-264 AC	48V	Type A (White Flashing) Type B (Red Flashing)	Day: 20,000 cd Night:2,000 cd	20 W 5 W





DEPARTMENT OF CIVIL AVIATION  
MALAYSIA

# OBSTACLE LIGHTS CERTIFICATE

**ASD404/CERT/014/2017**

**AVIALITE SDN BHD**  
NAME OF PRODUCT DISTRIBUTOR

This Certificate is issued pursuant Airport Standards Directive 404 [ASD404], published under the provision of Section 24o of Civil Aviation Act 1969 [Act 3], to certify that the obstacle lights offered by Distributor **AVIALITE SDN BHD** has complied with the requirements of Airport Standards Directive 404 and Annex 14 Vol. I to the Convention on International Civil Aviation pertaining to obstacle lights of the following Type Code[s] –

- |      |                  |                                   |
|------|------------------|-----------------------------------|
| i.   | DCA/L/A          | Model no.                         |
| ii.  | DCA/L/B          | Model no.                         |
| iii. | <b>DCA/M/A-B</b> | <b>Model no. Mi-20-2KP Series</b> |
| iv.  | DCA/M/B          | Model no.                         |
| v.   | DCA/H/A          | Model no.                         |
| vi.  | DCA/H/B          | Model no.                         |

The Authority may suspend, revoke or vary this Certificate at any time if the above listed obstacle lights fails to comply with the requirements of Airport Standards Directive 404 and Annex 14 Vol. I.

This Certificate shall remain in effect from the date of issue until **31 December 2018**.

.....  
DIRECTOR OF AIRPORT STANDARDS  
DEPARTMENT OF CIVIL AVIATION MALAYSIA

**21 November 2016**  
DATE OF ISSUE